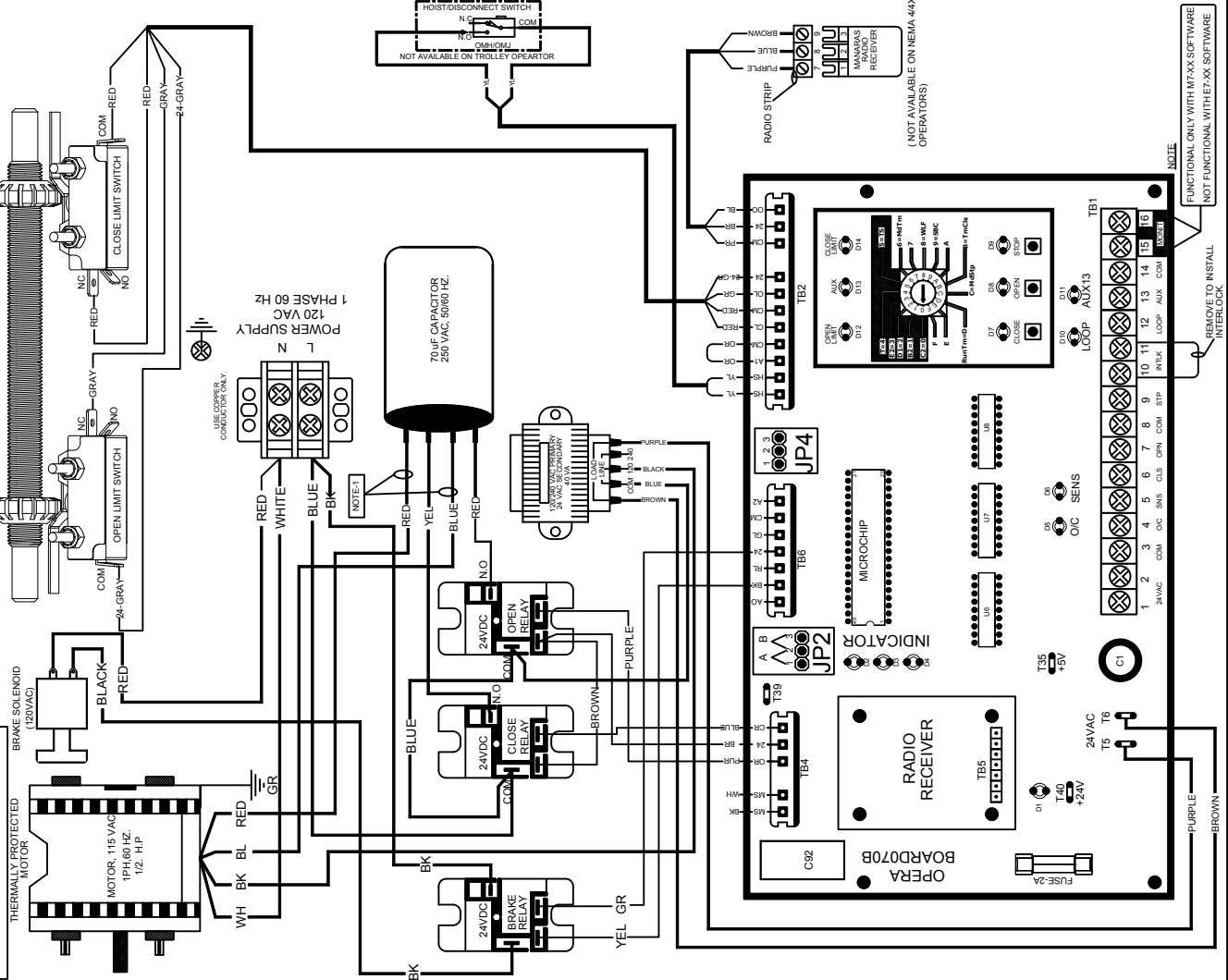


EDWG11070R802

WIRING DIAGRAM FOR 1-PHASE OPERATOR- MODEL : OM/H/OM/J/OMT

NOTE:
TO REVERSE MOTOR ROTATION, INTERCHANGE RED AND BLUE MOTOR WIRES MOTOR ON THE CAPACITOR THERMALLY PROTECTED MOTOR



ROTARY SWITCH SETTINGS	
0	WIRING TYPES C2 WIRING
1	B2 WIRING
2	D1 WIRING
3	E2 WIRING
4	WIRING
5	TS WIRING
PROGRAM SETTINGS	
6	MID-STOP TIMER TO CLOSE
8	WARNING LIGHT TIMER
9	SBC SINGLE BUTTON CONTROL
B	TIME TO CLOSE
C	MID-STOP
D	RUN-TIMER
CONNECTION FOR A RADIO RECEIVER MODULE. (CONSULT FACTORY)	
TB 3: 0 5	
NOTE: FOR ROTARY SWITCH SETTINGS FOR ROTARY SWITCH SETTINGS PROCEDURES, REFER TO INSTRUCTION MANUAL	

EXTERNAL WIRING								
LINE POWER L N GR	POWER 24 VAC	EXTERNAL INTERLOCK 10 11	SAFETY REVERSE 3 5	OPEN/CLOSE COMMAND 3 4	POSITION KEY SW / WSPRING RETURN TO CENTRE 6 7 8 9 10 11 12 13 14 15 16	TWO PUSH-BUTTON STATION 6 7 8 9	SINGLE PUSH-BUTTON STATION 6 7 8 9	MONITORED PHOTOCELL 15 16
POWER SUPPLY 120/240VAC 1PH, 50/60 HZ	24 VAC POWER AVAILABLE TO MANARAS RECEIVER ONLY	EXTERNAL INTERLOCK CONTACT FOR INTERLOCK	SAFETY REVERSE CONTACT FOR SAFETY DEVICE	OPEN/CLOSE COMMAND CONTACT FOR OPEN/CLOSE DOOR DEVICE	3 POSITION KEY SW / WSPRING RETURN TO CENTRE CONTACT FOR OPEN DOOR DEVICE (LOOP DETECTOR)	TWO PUSH-BUTTON STATION CONTACT FOR OPEN DOOR DEVICE (LOOP DETECTOR)	SINGLE PUSH-BUTTON STATION CONTACT FOR OPEN DOOR DEVICE (LOOP DETECTOR)	MONITORED PHOTOCELL FUNCTIONAL ONLY WITH MF-XX SOFTWARE NOT FUNCTIONAL WITH E7-XX SOFTWARE
WARNING ① USE 18AWG OR HIGHER FOR WIRING ALL EXTERNAL CONNECTIONS		② MOTORIZED DOORS CAN CAUSE SERIOUS INJURIES OR DEATH. MANARAS STRONGLY RECOMMENDS THE USE OF ENTRAPMENT PROTECTION SYSTEMS, ESPECIALLY IN THE OFF-CASE MOMENTARY CONTACT TO CLOSE AS IN B2 WIRING		THE INFORMATION CONTAINED HEREIN IS PROPRIETARY TO MANARAS OPERA AND SHALL NOT BE REPRODUCED OR DISCLOSED OR USED FOR ANY DESIGN OR MANUFACTURE EXCEPT WHEN USER POSSESSES DIRECT WRITTEN AUTHORIZATION FROM MANARAS-OPERA		ON BOARD JUMPER SETTINGS		
TITLE: WIRING DIAGRAM, 120VAC, 1-PHASE		DRAWN BY: BP		REV: 01		DATE: 26 NOV 2021		
MANARAS OPERA POINTE-à-Claire, QC H9R 1A8 TEL: 1-800-361-2260 FAX: 1-888-626-0606		25 MAY 2021		ENR11070R802		C		