

V-PH	HP	DESCRIPTION	# MANARAS
120V - 1PH	1/2HP	MOTOR 1/2HP - 120V/230V - 1PH 1PH - 10 AMPS RESET	MOTOR254 RESET007
	3/4HP	MOTOR 3/4HP - 120V/230V - 1PH 1PH - 15 AMPS RESET	MOTOR255 RESET012
	1HP	MOTOR 1HP - 120V/230V - 1PH 1PH - 17 AMPS RESET	MOTOR256 RESET014
240V - 1PH	1/2HP	MOTOR 1/2HP - 120V/230V - 1PH 1PH - 5 AMPS RESET	MOTOR254 RESET002
	3/4HP	MOTOR 3/4HP - 120V/230V - 1PH 1PH - 7 AMPS RESET	MOTOR255 RESET004
	1HP	MOTOR 1HP - 120V/230V - 1PH 1PH - 9 AMPS RESET	MOTOR256 RESET006
208V - 3PH	1/2HP	MOTOR 1/2HP - 208V/460V - 3PH	MOTOR271
	1HP	MOTOR 1HP - 208V/460V - 3PH	MOTOR275
460V - 3PH	1/2HP	MOTOR 1/2HP - 208V/460V - 3PH	MOTOR271
	1HP	MOTOR 1HP - 208V/460V - 3PH	MOTOR275
600V - 3PH	1/2HP	MOTOR 1/2HP - 575V - 3PH	MOTOR272
	3/4HP	MOTOR 3/4HP - 575V - 3PH	MOTOR274
	1HP	MOTOR 1HP - 575V - 3PH	MOTOR276

No	Qty	DESCRIPTION	# MANARAS	REV
1	2	6-32 X 5/8 TYPE F S-TAP. SCREW	SCREW095	
2	1	10-24 X 3/4 TYPE F S-TAP. SCREW	SCREW023	
3	1	10-32 X 3/16 SET SCREW	SET SCREW	
4	1	#41-1R46P (INCL. IC/L)	CHAIN062	
5	1	#41-1R46P WP (INCL. IC/L)	CHAIN096	
6	1	#410-1R32P(INCL. IC/L)	CHAIN006	
7	5	1/4-20 HEX NYLON LOCK NUT ZP	NUT020	
8	2	1/4-20 X 5/16 SET SCREW	SCREW001	
9	1	410B14 X 1 K1/4 2S5/16-18	SPR410B14X1	
10	1	410B9 X 3/8 K0 2S1/4-20	SPR410B9X3/8	
11	14	5/16-18 HEX SERRATED FLANG NUT ZP	NUT055	
12	14	5/16-18 X 3/4 RND HD SQ NECK BOLT	BOLT093	
13	21	5/16-18 X 5/16 SET SCREW	SCREW023	
14	1	7X7 1/16" X 33"	CABLE026	
15	1	BRAKE RELEASE CHAIN 4" - 8 LINKS	CHAIN084	
16	1	BX SECTION COGGED V-BELT	VBELTBX30	
17	1	CABLE SLEEVE 1/16"	SLEEVE001	
18	1	CBOX ABS/PC COVER	COVER047	11
19	1	DISCONNECT CHAIN 5" LONG	CHAIN082	
20	4	KEY 1/4 X 1	KW021	5
21	1	KEY 3/16 X 2.50 (INCL. W/ MOTOR)	KEY	5
22	2	LIMIT SHAFT BUSHING LOCK WASHER	WASHER066	2
23	1	MOTOR	SEE TABLE	
24	1	MOTOR PULLEY 2.0 x 5/8 5L STL	PULLEY014_KW125	0
25	1	MSJ FRAME	FRAME065	1
26	1	OPERA CONTROL BOX	CBOX040	6
27	1	OPERA COVER ARM	ARM025	4
28	1	OPERA LIMIT SHAFT	SHAFT103	9
29	2	OPERA LIMIT SHAFT BUSHING	BUSHING055	1
30	1	OSH BAND BRAKE ASSEMBLY KIT	BRAKE013 (DRAWING021)	
31	1	POP RIVET 1/8 X (0.063-0.125)	RIVET008	
32	1	PUSH NUT #10	CLIP015	
33	3	S HOOK	HOOK001	
34	1	SINGLE SWIVEL PULLEY 1.0	PULLEY016	---
35	1	STEEL COLLAR 0.3	COLLAR002	
36	2	TOGGLE SWITCH SPRING	SPRING030	0

MOTOR HARNESS		
DESCRIPTION	# MANARAS	
MOTOR HARNESS ECB 1 PHASE	HARNESS031	
MOTOR HARNESS ECB 3 PHASE	HARNESS032	
MOTOR HARNESS HW 1 PHASE	HARNESS043	
MOTOR HARNESS HW 3 PHASE	HARNESS044	

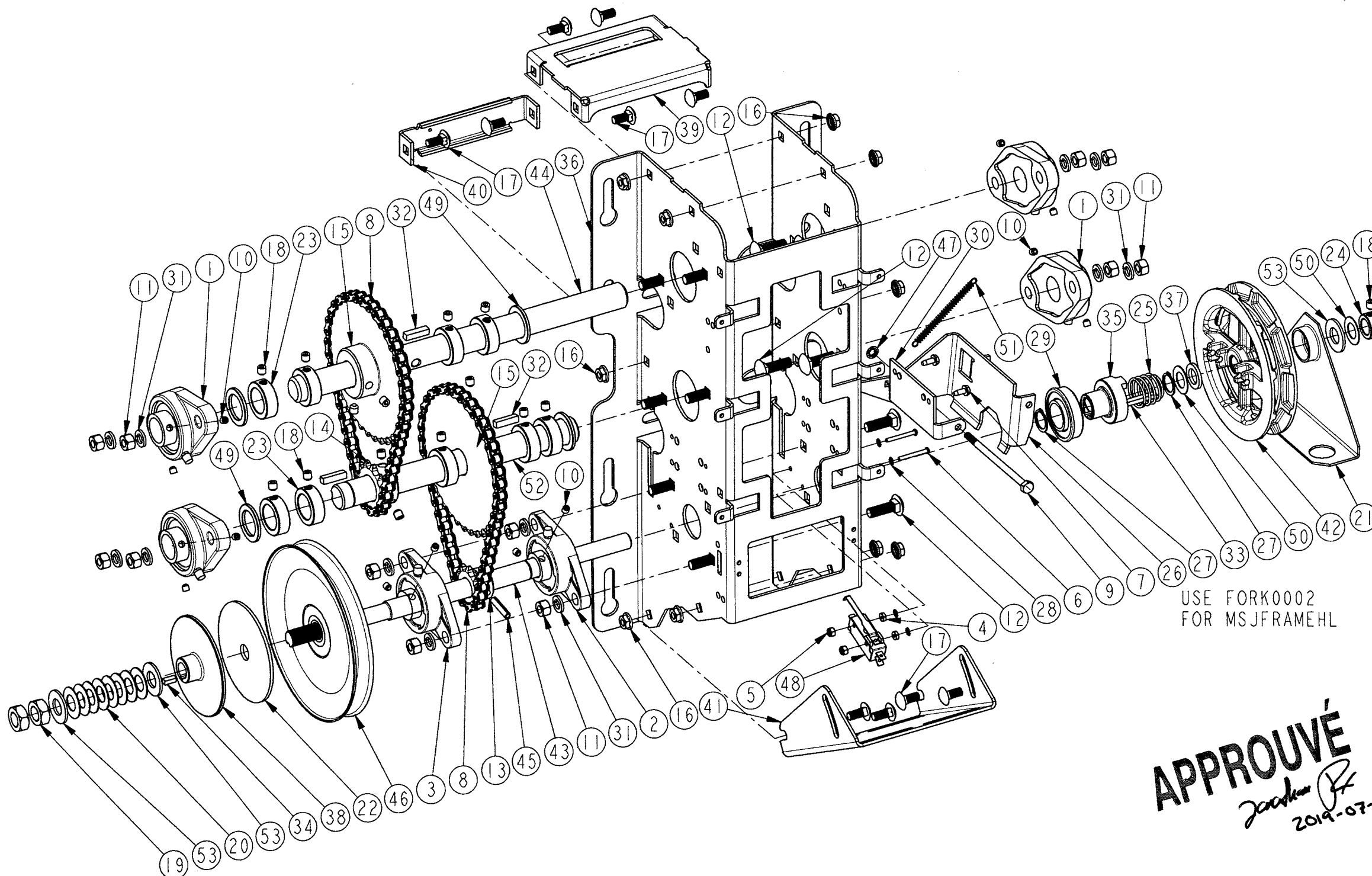
BRAKE HARNESS		
Qty	DESCRIPTION	# MANARAS
1	BRAKE HARNESS	HARNESS053

PART DESCRIPTION EXAMPLE TABLE				
V-PH	HP	SIDE	CONTROL	PART DESCRIPTION
120V-1PH	1/2HP	HR	ECB	120V-1PH-1/2HP HR ECB
600V-3PH	1HP	HR	MONIT	600V-3PH-1HP HR MONIT
208V-3PH	3/4HP	HL	HW	208V-3PH-3/4HP HL HW

APPROUVE
[Signature]
 2019-07-25

PART DESCRIPTION		
SEE PART DESCRIPTION EXAMPLE TABLE		
PART NUMBER MSJ	MANARAS-OPERA 136 ONEIDA DRIVE POINTE-CLAIRE, QC, H9R 1A8 TEL: 1-800-361-2260 FAX: 1-888-626-0606	
DRAWN BY: D.WANG		
DATE: 2019-07-25		
UPDATED BY: --		
DATE: --		

CONFIDENTIAL: THIS DRAWING AND/OR THE INFORMATION CONTAINED HEREIN IS AND REMAINS THE SOLE PROPERTY OF, AND IS PROPRIETARY TO, MANARAS-OPERA. THIS DRAWING AND/OR INFORMATION SHALL BE KEPT CONFIDENTIAL AND MAY NOT BE REPRODUCED, COPIED, MODIFIED, DISCLOSED, TRANSFERRED, OR MADE AVAILABLE TO OTHERS, EXCEPT WITH THE EXPRESS CONSENT OF MANARAS-OPERA. IT IS LOANED IN CONFIDENCE FOR MUTUAL ASSISTANCE PURPOSES ONLY. MANARAS-OPERA MAY AT ANY TIME, WRITTEN MODIFY THE DRAWING AND/OR INFORMATION CONTAINED HEREIN.



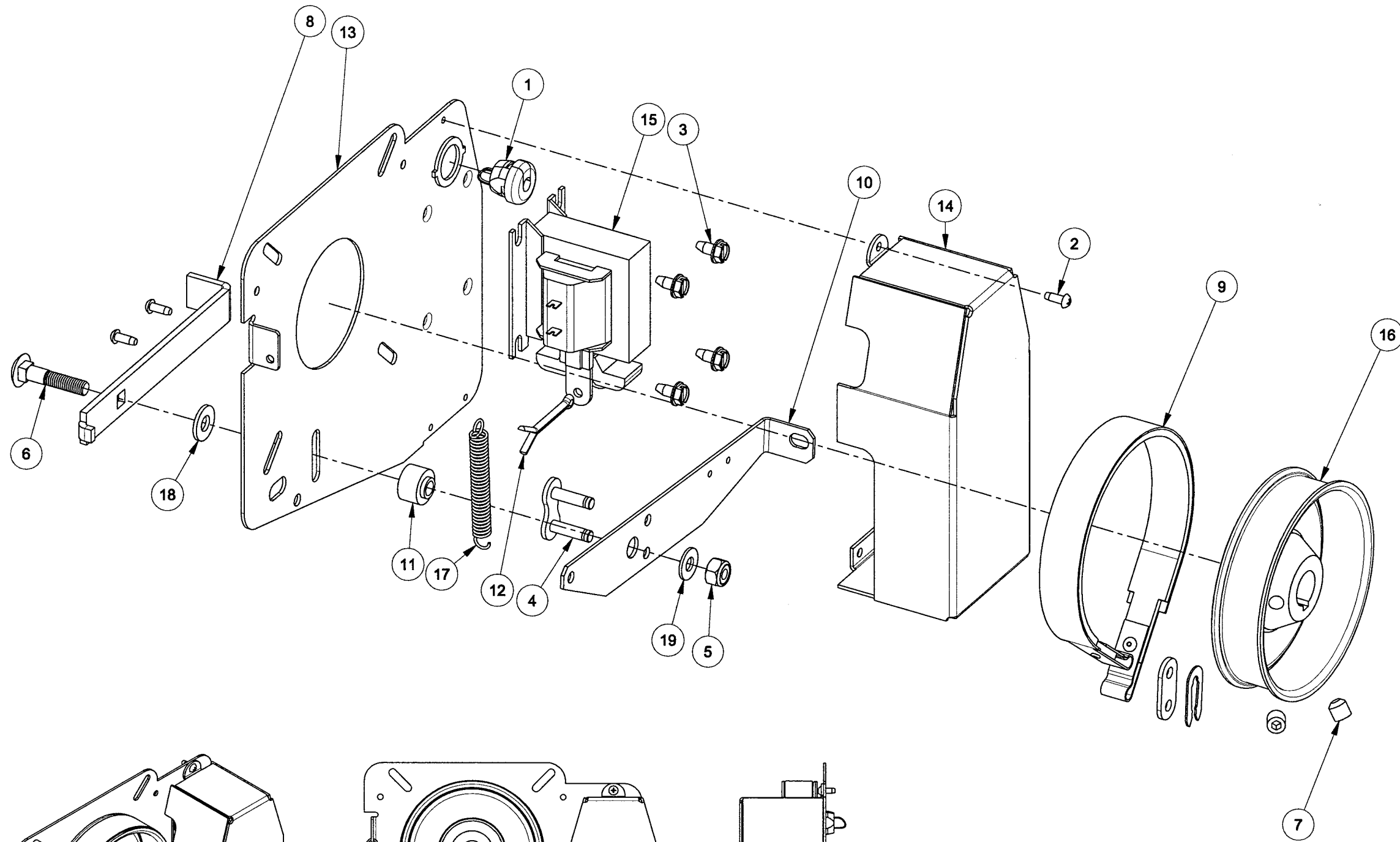
No	Qty	DESCRIPTION	# MANARAS	REV
1	4	2-BOLT FLANGE BEARING ID 1" BLACK	BEARING047	
2	1	2-BOLT FLANGE BEARING ID 3/4" BLACK	BEARING048	
3	1	2-BOLT FLANGE BEARING ID 5/8" BLACK	BEARING051	
4	2	6-32 HEX NUT ZP	NUT002	
5	2	6-32 HEX NYLON LOCK NUT ZP	NUT018	
6	2	6-32 X 1.25 MACHINE SCREW	SCREW109	
7	2	10-24 X 1/2 TYPE F S-TAP. SCREW	SCREW067	
8	2	#41-1R46P (INCL. IC/L)	CHAIN062	
9	1	1/4-20 X 4-1/2 HEX BOLT	BOLT109	
10	12	1/4-28 X 1/4 SET SCREW	SCREW002	
11	12	3/8-16 HEX NUT ZP	NUT010	
12	12	3/8-16 X 1-1/4 RND HD SQ NECK BOLT	BOLT059	
13	1	41B10 X 3/4 K3/16 2S1/4-20 PH1/4	SPR41B10X3/4PH	1
14	1	41B12 X 1 K1/4 2S5/16-18 PH1/4 CR	SPR41B12X1	5
15	2	41B36 X 1 K1/4 2S5/16-18	SPR41B36X1	4
16	10	5/16-18 HEX SERRATED FLANG NUT ZP	NUT055	
17	10	5/16-18 X 3/4 RND HD SQ NECK BOLT	BOLT093	
18	16	5/16-18 X 5/16 SET SCREW	SCREW003	
19	2	5/8-18 HEX JAM NUT ZP	NUT013	
20	8	BELLEVILLE WASHER (.5X1.6.3X0.8)	WASHER035	
21	1	CHAIN GUIDE OPERA	GUIDE014	3
22	1	CL.PAD 5/8x4x0.125"	CLUTCHPAD005	3
23	9	COLLAR 1"	COLLAR007	
24	1	COLLAR 5/8"	COLLAR004	
25	1	COMP. SPRING DISC. OSH	SPRING043	2
26	1	DISCONNECT FORK RH	FORK001	6
27	2	EXT. RETAINING RING	CLIP017	
28	4	EXTERNAL TOOTH LOCKWASHER NO 6 ZP	WASHER067	0
29	1	FLANGED BEARING ID 1"	BEARING007	
30	1	FORK PIVOT BRACKET	BRACKET201	1
31	12	HELICAL SPRING LOCK WASHER 3/8 ZP	WASHER030	
32	3	KEY 1/4 X 1	KW021	5
33	1	KEY 3/16 X 1-1/2 ROUNDED ENDS	KW013	5
34	1	KEY 3/16 X 1/2	KW031	5
35	1	MANUAL HOIST COUPLING	COUPLING019	A
36	1	MSJ FRAME	FRAME065	1
37	1	OILLITE WASHER (.625X1.00X.125)	WASHER057	0
38	1	OPERA CLUTCHPLATE	CLUTCHPLATE006	3
39	1	OPERA HANDLE	HANDLE005	9
40	1	OPERA MD FRAME SPACER	SPACER012	3
41	1	OPERA MOTOR PLATE	PLATE078	10
42	1	OPERA POCKETWHEEL	POCKETWHEEL005	2
43	1	OSH INPUT SHAFT	SHAFT116	6
44	1	OSH OUTPUT SHAFT	SHAFT117	1
45	1	PIN SLOTTED SPRING 1/4 X 1-1/8	PIN031	
46	1	PULLEY 7" X 5/8" 5L/B	PULLEY020	6
47	1	PUSH NUT 1/4"	CLIP029	
48	1	SNAP-ACT. SW.SPDT-LEVER "END BEND"	LIMIT025B	0
49	4	SPACER 1" ID X 1-1/2" OD X 0.125"	SPACER030	
50	2	THRUST WASHER ID 5/8" OD 1-1/8"	BEARING024	
51	1	TOGGLE SWITCH SPRING	SPRING030	0
52	1	TROLLEY OUTPUT SHAFT	SHAFT048	7
53	3	TYPE A PLAIN WASHER 5/8 N ZP	WASHER014	0

APPROUVÉ
2019-07-25

PART DESCRIPTION		
MSJ FRAME HAND RIGHT		
PART NUMBER	MSJFRAMEHR	
DRAWN BY:	D.WANG	
DATE:	2019-07-25	
MANARAS-OPERA	136 ONEIDA DRIVE	
POINTE-CLAIRE, QC, H9R 1A8	TEL: 1-800-361-2260	
1-888-626-0606	FAX: 1-888-626-0606	SHEET: 1 of 1

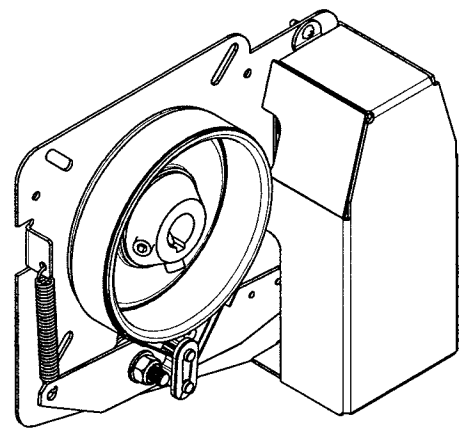
CONFIDENTIAL: THIS DRAWING AND/OR THE INFORMATION CONTAINED HEREIN IS AND REMAINS THE SOLE PROPERTY OF, AND IS PROPRIETARY TO, MANARAS-OPERA. THIS DRAWING AND/OR INFORMATION SHALL BE KEPT CONFIDENTIAL AND MAY NOT BE REPRODUCED, COPIED, MODIFIED, DISCLOSED, TRANSFERRED, OR MADE AVAILABLE TO OTHERS, EXCEPT WITH THE EXPRESS CONSENT OF MANARAS-OPERA. IT IS LOANED IN CONFIDENCE FOR MUTUAL ASSISTANCE PURPOSES ONLY. MANARAS-OPERA MAY AT ANY TIME, WRITTEN MODIFY THE DRAWING AND/OR INFORMATION CONTAINED HEREIN.

Qty	DESCRIPTION	# MANARAS
120V - 1PH	1 SOLENOID SWITCH 120V	SOLENOID001
230V - 1PH	1 SOLENOID SWITCH 240V	SOLENOID002
208V - 3PH	1 SOLENOID SWITCH 240V	SOLENOID002
460V - 3PH	1 SOLENOID SWITCH 440V	SOLENOID003
575V - 3PH	1 SOLENOID SWITCH 575V	SOLENOID004

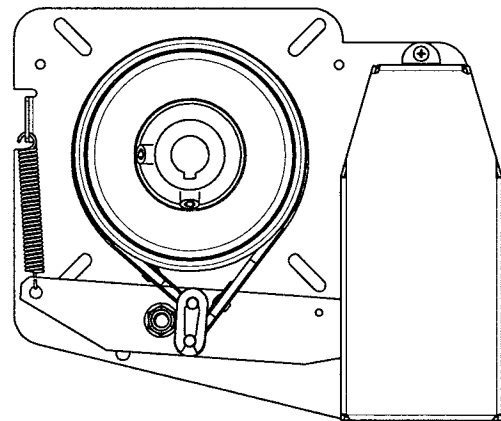


No	Qty	DESCRIPTION	# MANARAS	REV
1	1	0.300 CABLESTRAIN RELIEF 5/8" OD	BUSHING067	
2	3	6-32 X 3/8 TYPE T S-TAP. SCREW	SCREW094	
3	4	10-24 X 3/8 TYPE T S-TAP. SCREW	SCREW022	
4	1	#50 CONNECTING LINK 50-1	LINK011	
5	1	1/4-20 HEX NYLON LOCK NUT ZP	NUT020	
6	1	1/4-20 X 1-1/4 RND HD SQ NECK BOLT	BOLT083	
7	2	5/16-18 X 5/16 SET SCREW	SCREW003	
8	1	ADJUSTMENT BRAKE LEVER	LEVER064	3
9	1	BRAKE BAND ASSEMBLY HEAVY DUTY	BRAKEPART019	
10	1	BRAKE LEVER	LEVER065	8
11	1	BRAKE LEVER PIVOT	BUSHING053	3
12	1	PIN COTTER 1/8 X 1-1/2	PIN001	
13	1	PLATED BRAKE PLATE	PLATE084	10
14	1	PLATED SOLENOID COVER	COVER048	5
15	1	SOLENOID	SEE TABLE	
16	1	STEEL BRAKE DRUM ID 0.626	DRUM005	2
17	1	TROLLEY ARM DISCONNECT SPRING	SPRING026	
18	1	TYPE A PLAIN WASHER 1/4 N ZP	WASHER004	0
19	1	TYPE A PLAIN WASHER 3/16 ZP	WASHER003	0

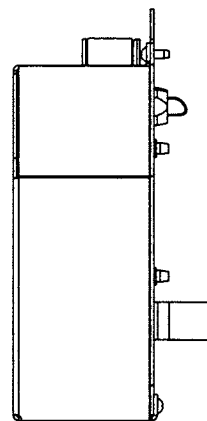
NOT SHOWN IN DRAWING		
Qty	DESCRIPTION	# MANARAS
1	7X7 1/16"X33"CW STOP	CABLE026
1	DISCONNECT CHAIN 5" LONG	CHAIN082
2	S HOOK	HOOK001
1	CABLE SLEEVE 1/16	SLEEVE001
1	EXTENSION SPRING E480-063-3275	SPRING027



ASSEMBLED ISO VIEW




ASSEMBLED FRONT VIEW
WITHOUT SOLENOID COVER



ASSEMBLED SIDE VIEW

APPROUVÉ
Zachary
2016-12-08

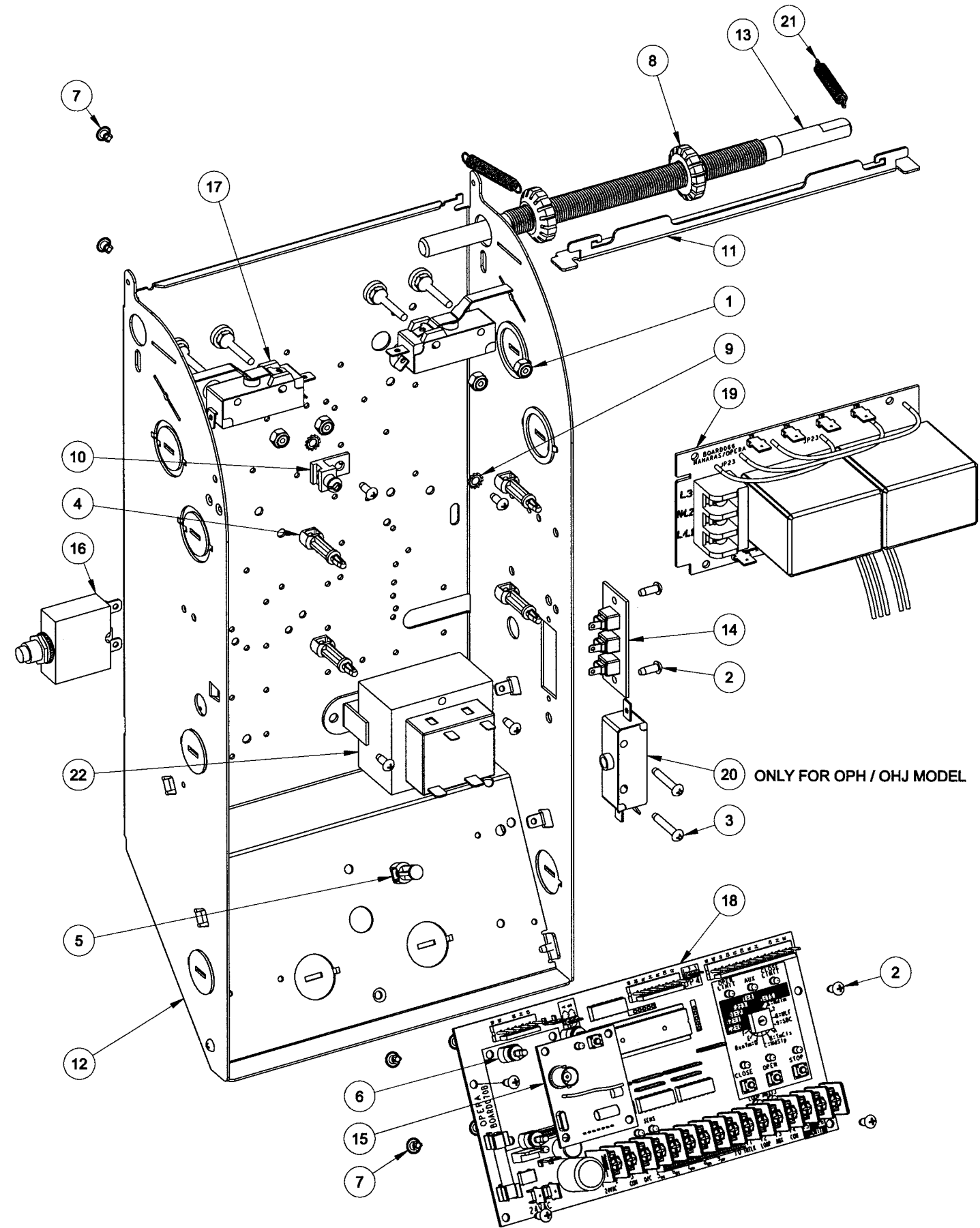
PART DESCRIPTION		
OSH BAND BRAKE ASSEMBLY KIT		
PART NUMBER	MANARAS-OPERA	
BRAKE013 (DRAWING021)	136 ONEIDA DRIVE	
DRAWN BY: J. PROULX	POINTE-CLAIRE, QC, H9R 1A8	
DATE: 2010-08-05	TEL: 1-800-381-2260	
UPDATED BY: J. PROULX	FAX: 1-888-626-0606	
DATE: 2013-03-12		
	SHEET: 1 of 1	

CONFIDENTIAL: THIS DRAWING AND/OR THE INFORMATION CONTAINED HEREIN IS AND REMAINS THE SOLE PROPERTY OF, AND IS PROPRIETARY TO, MANARAS-OPERA. THIS DRAWING AND/OR INFORMATION SHALL BE KEPT CONFIDENTIAL AND MAY NOT BE REPRODUCED, COPIED, MODIFIED, DISCLOSED, TRANSFERRED, OR MADE AVAILABLE TO OTHERS, EXCEPT WITH THE EXPRESS CONSENT OF MANARAS-OPERA. IT IS LOANED IN CONFIDENCE FOR MUTUAL ASSISTANCE PURPOSES ONLY. MANARAS-OPERA MAY AT ANY TIME, WRITTEN MODIFY THE DRAWING AND/OR INFORMATION CONTAINED HEREIN.

V-PH	Qty	DESCRIPTION	# MANARAS
120V - 1PH	1	TRANSFO 120/240V-24V 40VA	TRANSF143
120V - 1PH	1	L N 115VAC 1PH STICKER	STICKER035
240V - 1PH	1	TRANSFO 120/240V-24V 40VA	TRANSF143
240V - 1PH	1	L1 L2 230VAC 1 PH STICKER	STICKER029
208V - 3PH	1	TRANSFO 240V/208V-24V 40VA	TRANSF037
208V - 3PH	1	L1 L2 L3 208VAC 3PH STICKER	STICKER031
480V - 3PH	1	TRANSFO 480V-24V 40VA	TRANSF088
480V - 3PH	1	L1 L2 L3 480VAC 3PH STICKER	STICKER032
600V - 3PH	1	TRANSFO 575V-24V 40VA	TRANSF142
600V - 3PH	1	L1 L2 L3 575VAC 3PH STICKER	STICKER033


HARNESS		
Qty	DESCRIPTION	# MANARAS
1	CONTROL HARNESS (INSIDE CBOX)	HARNESS099

LABELS		
Qty	DESCRIPTION	# MANARAS
1	USE COPPER STICKER	STICKER068
1	2 AMP FUSE STICKER	STICKER003



No	Qty	DESCRIPTION	# MANARAS	REV
1	4	6-32 HEX NYLON LOCK NUT ZP	NUT018	
2	10	6-32 X 3/8 TYPE T S-TAP. SCREW	SCREW094	
3	2	6-32 X 7/8 TYPE F S-TAP. SCREW	SCREW096	
4	4	BOARD SUPPORT 1 IN.	SUPPORT008	
5	1	BOARD SUPPORT 1/2 CUT	SUPPORT013	
6	4	BOARD SUPPORT 7/16 IN.	SUPPORT014	
7	9	BOARD SUPPORT RIVET	SUPPORT002	
8	2	CAM LIMIT OPERA	CAM011	2
9	2	EXT. OVERLAP TOOTH LOCK WASHER M4	WASHER065	
10	1	GROUND LUG TA61G-UL	CONNECTOR039	
11	1	OPERA CBOX CAMPLATE	CAMPLATE019	5
12	1	OPERA CONTROL BOX	CBOX040-041	
13	1	OPERA LIMIT SHAFT	SHAFT103	9
14	1	RADIO CONTROL TERM STRIP	TSTRIP005	
15	1	RADIO REC. ROLL CODE	RADIORE101	
16	1	RESET	SEE MOTOR TABLE	
17	2	SINGLE LIMIT SWITCH - LEVER 46 DEG	LIMIT023	4
18	1	STD ELECT. CONTR. BOARD	BOARD070	
19	1	STD ELECT. POWER BOARD 2 RELAYS	BOARD068	
20	1	STD SINGLE CUT-OFF SWITCH	LIMIT020	
21	2	TOGGLE SWITCH SPRING	SPRING030	
22	1	TRANSFORMER	SEE TABLE	

APPROUVÉ
Zachary Rk
 2016-09-22

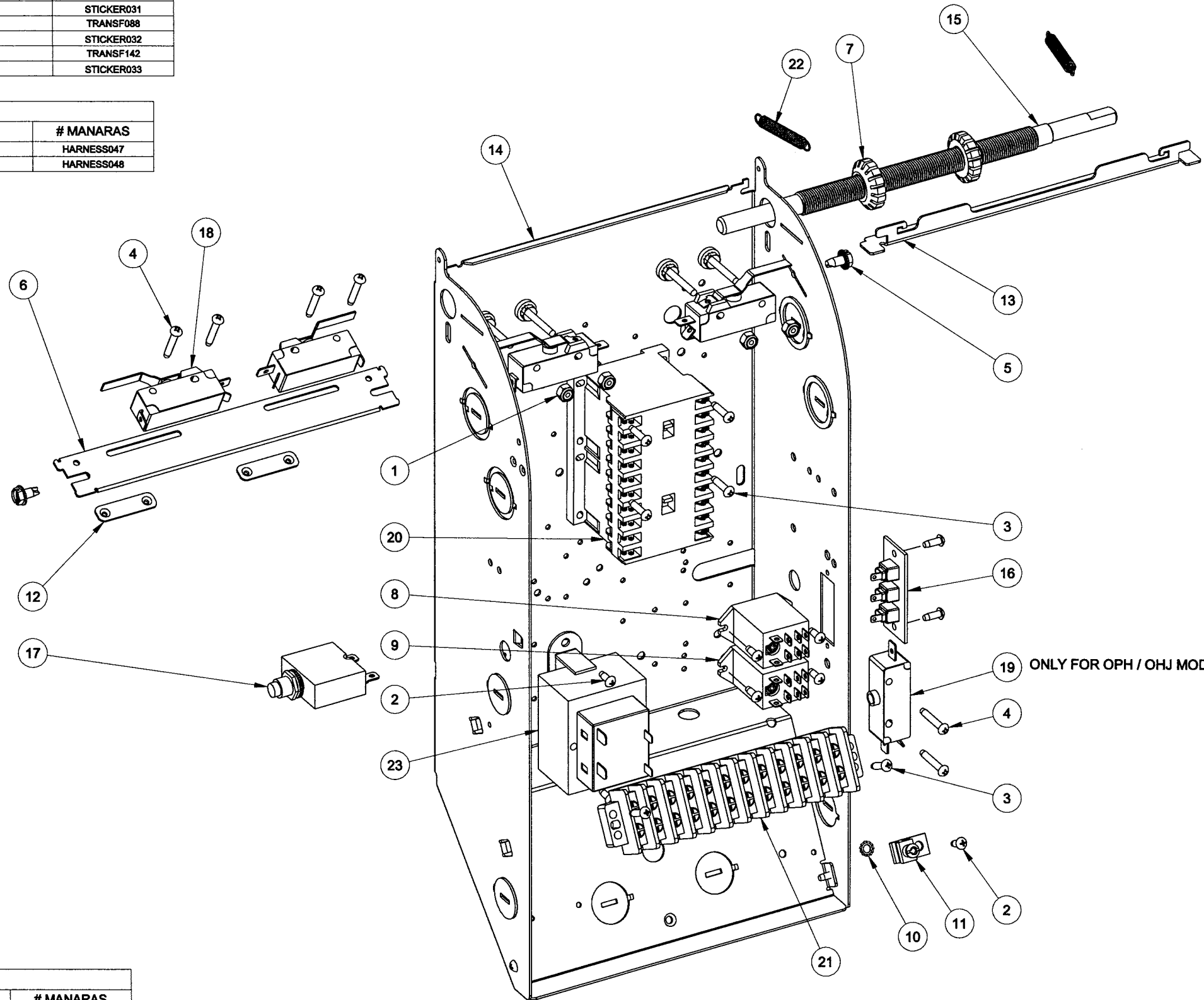
PART DESCRIPTION		
SUBA CBOX OPERA BOARD		
PART NUMBER	CBOX-OP-EM	MANARAS-OPERA 136 ONEIDA DRIVE POINTE-CLAIRE, QC, H9R 1A8 TEL: 1-800-361-2260 FAX: 1-888-626-0606
DRAWN BY:	J. PROULX	
DATE:	2010-09-23	
UPDATED BY:	J. PROULX	
DATE:	2016.09.22	
		SHEET: 1 of 1

CONFIDENTIAL: THIS DRAWING AND/OR THE INFORMATION CONTAINED HEREIN IS AND REMAINS THE SOLE PROPERTY OF, AND IS PROPRIETARY TO, MANARAS-OPERA. THIS DRAWING AND/OR INFORMATION SHALL BE KEPT CONFIDENTIAL AND MAY NOT BE REPRODUCED, COPIED, MODIFIED, DISCLOSED, TRANSFERRED, OR MADE AVAILABLE TO OTHERS, EXCEPT WITH THE EXPRESS CONSENT OF MANARAS-OPERA. IT IS LOANED IN CONFIDENCE FOR MUTUAL ASSISTANCE PURPOSES ONLY. MANARAS-OPERA MAY AT ANY TIME, WRITTEN MODIFY THE DRAWING AND/OR INFORMATION CONTAINED HEREIN.

V-PH	Qty	DESCRIPTION	# MANARAS
120V - 1PH	1	TRANSFO 120/240V-24V 40VA	TRANSF143
	1	DPDT 120V RELAY	RELAY026
	1	L N 115VAC 1PH STICKER	STICKER035
240V - 1PH	1	TRANSFO 120/240V-24V 40VA	TRANSF143
	1	DPDT 240V RELAY	RELAY027
208V - 3PH	1	L1 L2 230VAC 1 PH STICKER	STICKER029
	1	TRANSFO 240V/208V-24V 40VA	TRANSF037
480V - 3PH	1	L1 L2 L3 208VAC 3PH STICKER	STICKER031
	1	TRANSFO 480V-24V 40VA	TRANSF088
600V - 3PH	1	L1 L2 L3 480VAC 3PH STICKER	STICKER032
	1	TRANSFO 575V-24V 40VA	TRANSF142
	1	L1 L2 L3 575VAC 3PH STICKER	STICKER033


HARNESS		
Qty	DESCRIPTION	# MANARAS
1	CONTROL HARNESS 1 PHASE (INSIDE CBOX)	HARNESS047
	CONTROL HARNESS 3 PHASE (INSIDE CBOX)	HARNESS048

No	Qty	DESCRIPTION	# MANARAS	REV
1	4	6-32 HEX NYLON LOCK NUT ZP	NUT018	
2	9	6-32 X 3/8 TYPE T S-TAP. SCREW	SCREW094	
3	6	6-32 X 5/8 TYPE F S-TAP. SCREW	SCREW095	
4	6	6-32 X 7/8 TYPE F S-TAP. SCREW	SCREW096	
5	2	10-24 X 3/8 TYPE T S-TAP. SCREW	SCREW022	
6	1	ADV LS BRACKET	BRACKET245	4
7	2	CAM LIMIT OPERA	CAM011	2
8	1	DPDT 24V RELAY	RELAY024	
9	1	DPDT RELAY	SEE TABLE	
10	1	EXT. OVERLAP TOOTH LOCK WASHER M4	WASHER085	
11	1	GROUND LUG TA81G-UL	CONNECTOR039	
12	2	LS MOUNTING BRKT	BRACKET246	2
13	1	OPERA CBOX CAMPLATE	CAMPLATE019	5
14	1	OPERA CONTROL BOX	CBOX040-041	
15	1	OPERA LIMIT SHAFT	SHAFT103	9
16	1	RADIO CONTROL TERM STRIP	TSTRIP005	
17	1	RESET	SEE MOTOR TABLE	
18	4	SINGLE LIMIT SWITCH - LEVER 46 DEG	LIMIT023	4
19	1	STD SINGLE CUT-OFF SWITCH	LIMIT020	
20	1	TELEM. REVERS. CONT. 24V	CONTACTOR044	
21	1	TERMINAL STRIP 12 POSITIONS	TSTRIP001	
22	2	TOGGLE SWITCH SPRING	SPRING030	
23	1	TRANSFORMER	SEE TABLE	



APPROUVÉ
Jean-Louis Proulx
 2016-09-22

LABELS		
Qty	DESCRIPTION	# MANARAS
1	2 AMP FUSE STICKER	STICKER003
1	1,2...8,9 STICKER 1/4X4	STICKER034
1	B2/C2 HW STICKER	STICKER059
1	USE COPPER STICKER	STICKER068

PART DESCRIPTION		
SUBA CBOX OPERA HARDWARE		
PART NUMBER	CBOX-OP-HW	MANARAS-OPERA 136 ONEIDA DRIVE POINTE-CLAIRE, QC, H9R 1A8 TEL: 1-800-361-2260 FAX: 1-888-626-0606
DRAWN BY:	J. PROULX	
DATE:	2010-09-23	
UPDATED BY:	J. PROULX	
DATE:	2016.09.22	
SHEET: 1 of 1		

CONFIDENTIAL: THIS DRAWING AND/OR THE INFORMATION CONTAINED HEREIN IS AND REMAINS THE SOLE PROPERTY OF, AND IS PROPRIETARY TO, MANARAS-OPERA. THIS DRAWING AND/OR INFORMATION SHALL BE KEPT CONFIDENTIAL AND MAY NOT BE REPRODUCED, COPIED, MODIFIED, DISCLOSED, TRANSFERRED, OR MADE AVAILABLE TO OTHERS, EXCEPT WITH THE EXPRESS CONSENT OF MANARAS-OPERA. IT IS LOANED IN CONFIDENCE FOR MUTUAL ASSISTANCE PURPOSES ONLY. MANARAS-OPERA MAY AT ANY TIME, WRITTEN MODIFY THE DRAWING AND/OR INFORMATION CONTAINED HEREIN.